

## OPERA H25 GUN METAL



Kitchen Sinks

Code: N625 F06



### DETAILS

Edge/Installation Type

Rim h25 mm

Material

AISI 304 stainless steel

Texture

Brushed in line

Coloring

Gun Metal

Base

90 cm

Dimensions

880 x 518 mm

Standard fittings

Fixing hooks, gasket, drain, overflow and siphon, boxed packing

Mixer holes

2 standard holes - 3rd hole on request

Built-in hole

View technical data sheet

Drainer No

---

Number of bowls 1 bowl

---

Waste fitting 3,5" drain

---

## EQUIPMENT

1 x Space Push automatic  
waste fitting 8407 121

---

## FEATURES

High thickness 1mm thick steel. A significant thickness, which guarantees the maximum sturdiness and durability.

---

Space waste fitting The elegant SPACE steel cap closes the drain and leaves no visible residues collected in the basket below. Space also has a small footprint and allows the optimal use of the under-sink compartment.

---

Perimetral overflow The overflow is always a security on the Foster sinks that prevents the overflow of water in case of oversights. The perimeter drain solution improves aesthetics thanks to its square and essential shape.

---

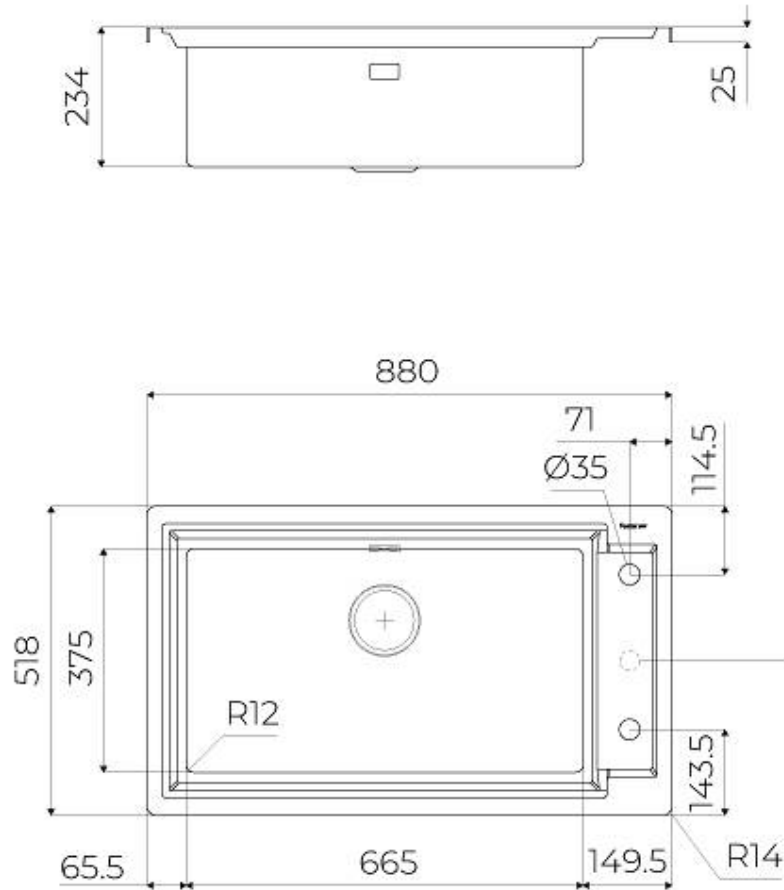
Small radius Bowls with squared shapes with a modern design and an increased capacity, for a minimal aesthetics connected with an extreme practicality.

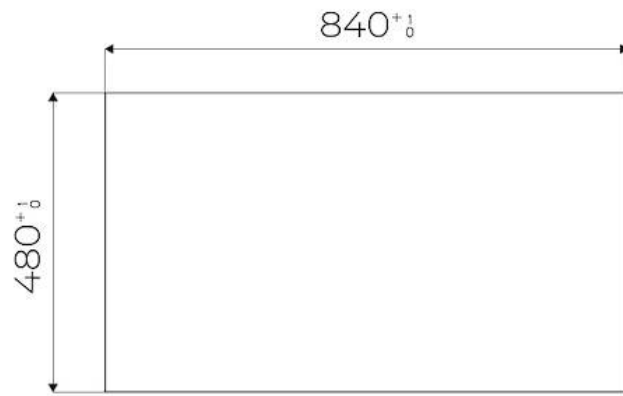
---

Deep bowls This bowls reach an important depth, over 20 cm, thanks to the advanced production technology, that can be offer great capieny and practicality in all the washing operations.

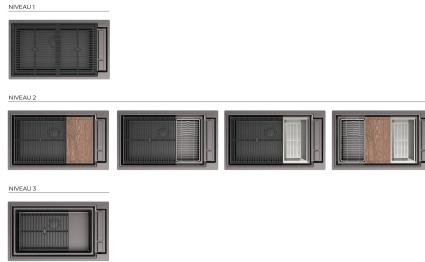
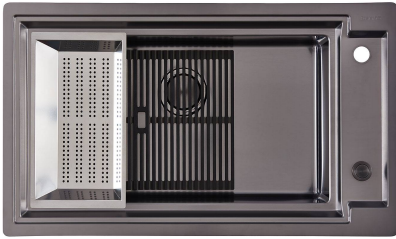
---

## TECHNICAL DATA





## GALLERY



## EQUIPMENT



**GRILLE NOIRE POUR EVIERS  
OPERA**  
A100 E06



**GRILLE NOIRE POUR EVIERS  
OPERA**  
A100 E07



**VIDAGE FADE PUSH GUN METAL**  
A407 A20